



**Better FTTx,
Better Life.**

FCST01135 Fiber Access Terminal Closure

-Inline Type

M:+86 18720624696

Email:sales@fcst.com

Tel:+86-21-38726791 38726792

Web:www.fcst.com www.micro-duct.com



Product Overview

FCST01135 Fiber Access Terminal Closure is a wiring line device of user distributions in FTTH system, it provides protection and management for fiber cable, and be used for terminating, cable branching, cross connection. It is mainly used for user access point in FTTH-ODN network , it can be divided into indoor and outdoor type according to the installation scenario, and can be divided into distribution type and optic-split type according to the function.

FCST01135 is used as a termination point for the feeder cable to connect with drop cable in FTTx communication network system. The fiber splicing, splitting, and distribution can be done in this box, and meanwhile it provides solid protection and management for FTTx network building.

Product Advantages

- Fiber routing is reasonable.
- Suitable for indoor or outdoor , wall-mounted , pole installation.
- cable sealing terminations use **gel-sealing technology** instead of Plain rubber seal.
- Clamping for feeder cable and drop cable, fiber splicing, fixation, storage, distribution...etc all in one.
- Built-in Stacked splice tray, easy for open, the splice tray can be taken down, easy for installation and maintenance.
- Made of high quality engineer plastic material (PP), Good mechanical strength, Elegant appearance, sturdiness and durability.

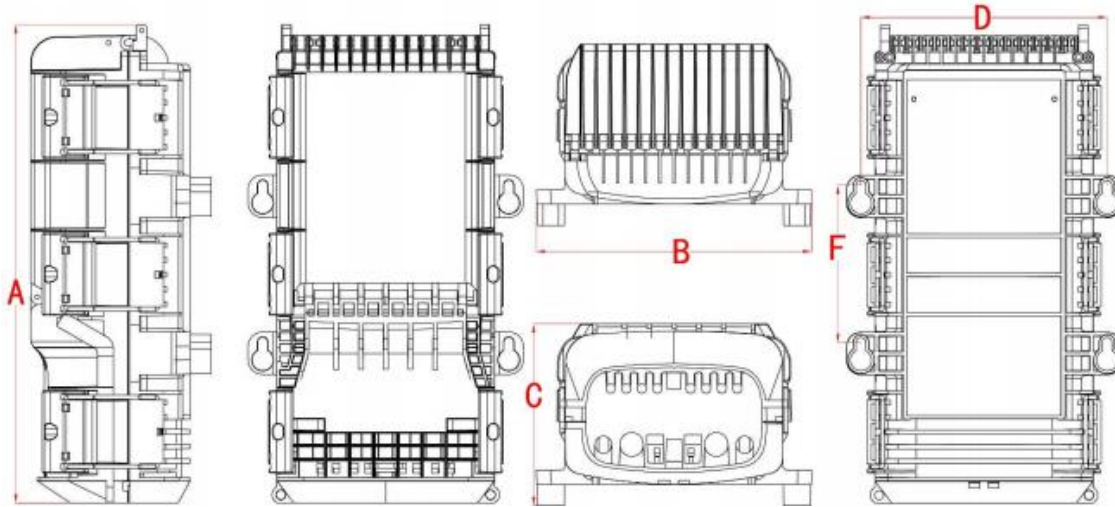
Product Specifications

Construction	Description
Capacity Of FOSC(Bunchy)	66 cores
Max. Capacity	8cores(SC/APC)
Material	PP
Dimension (mm)	336.5*195*128
Inlets/Outlets	4/8
Installation	Pole mounting, Pedestal mounting Strand mounting, Wall-mounting
Net Weight (g)	2050
Protection Level	IP67
Diameter Of Fiber Cable	Φ 11mm~ Φ 16mm

Operating Temperature

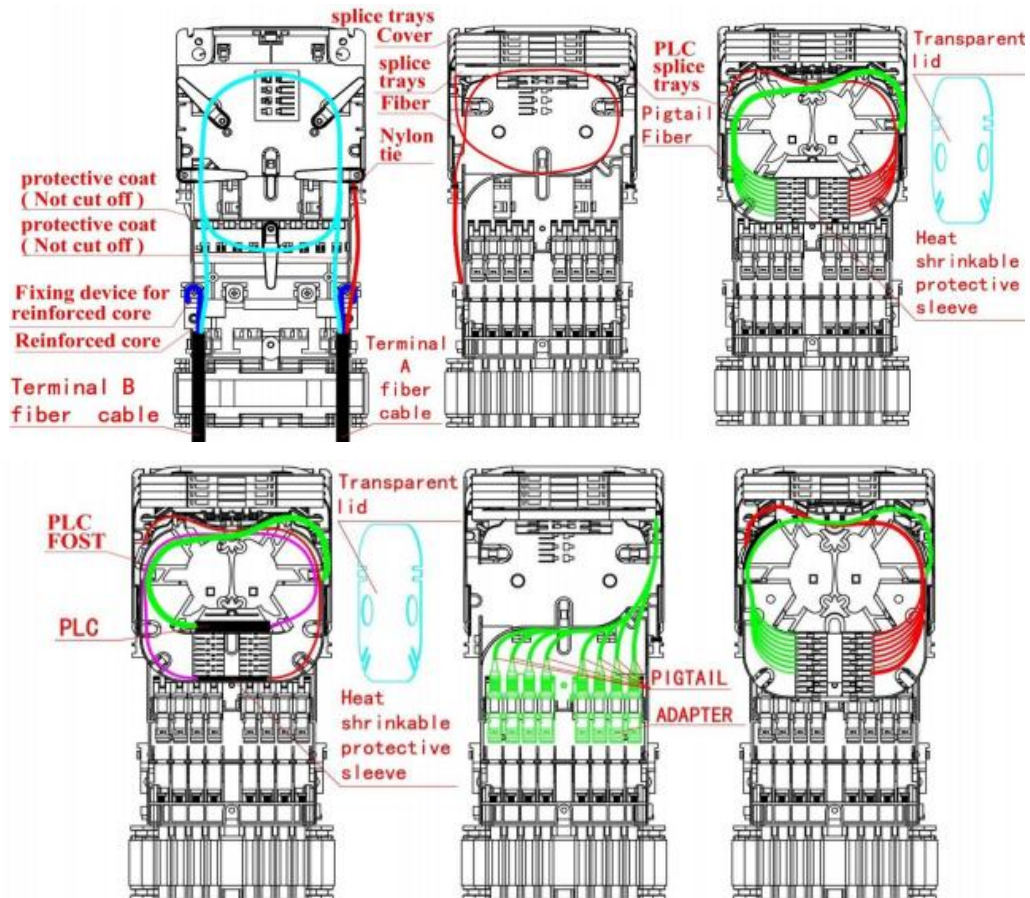
-40°C ~ +65°C

Product Structure

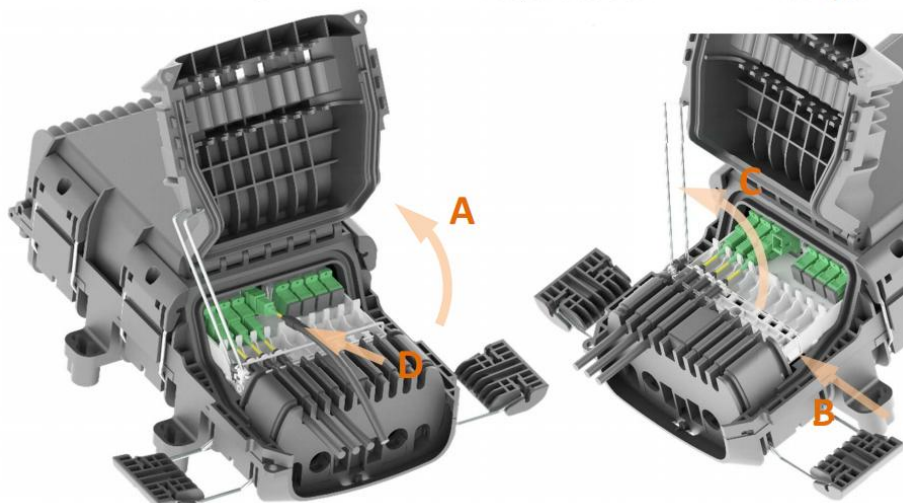


A:336.5mm B:195mm C:128mm D:174mm F:110.5mm

Fiber Routing Diagram



Quick Plug Cover



A. open the lid B. Press the lock button C. Rotate the metal rod to secure the lid D. Insert connector

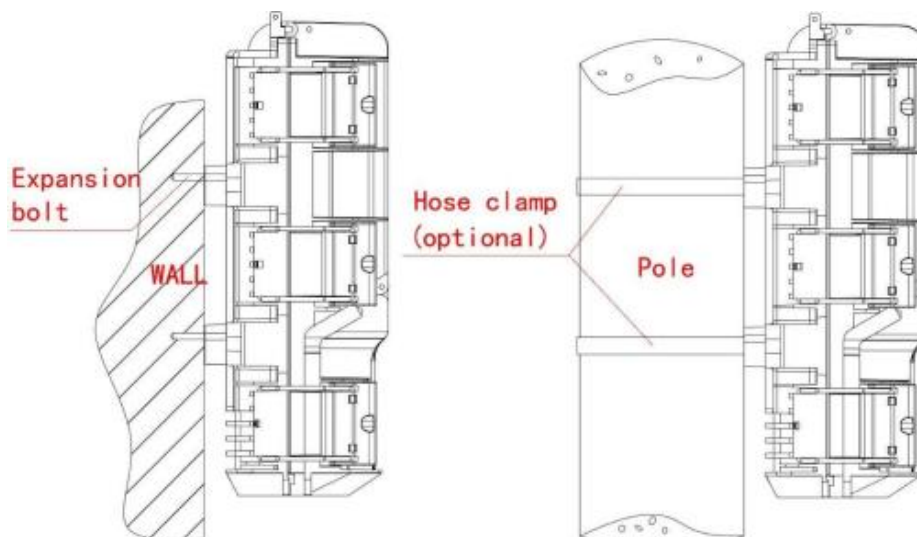
Installation

Wall-mounted installation

Drill 4 holes into the wall based on the size in table 1, place the expansion bolt $\Phi 7.5 \times 40$, place the box to match up the holes and use bolt to fasten.

Pole-mounted installation

Fix 1 set of the pole ring to the telecom pole, as below.

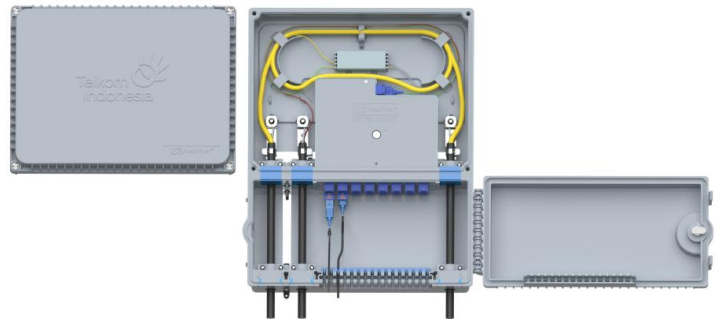


Design And Customization Services

- Provide service with whole process from blueprint to product to the customer.
- Meet customer's requirement to customize logo in suitable place for existing product.
- Meet customer's requirement to make reasonable modify and customization for existing product.
- Provide free design according to the requirement of customer after signed cooperative agreement.



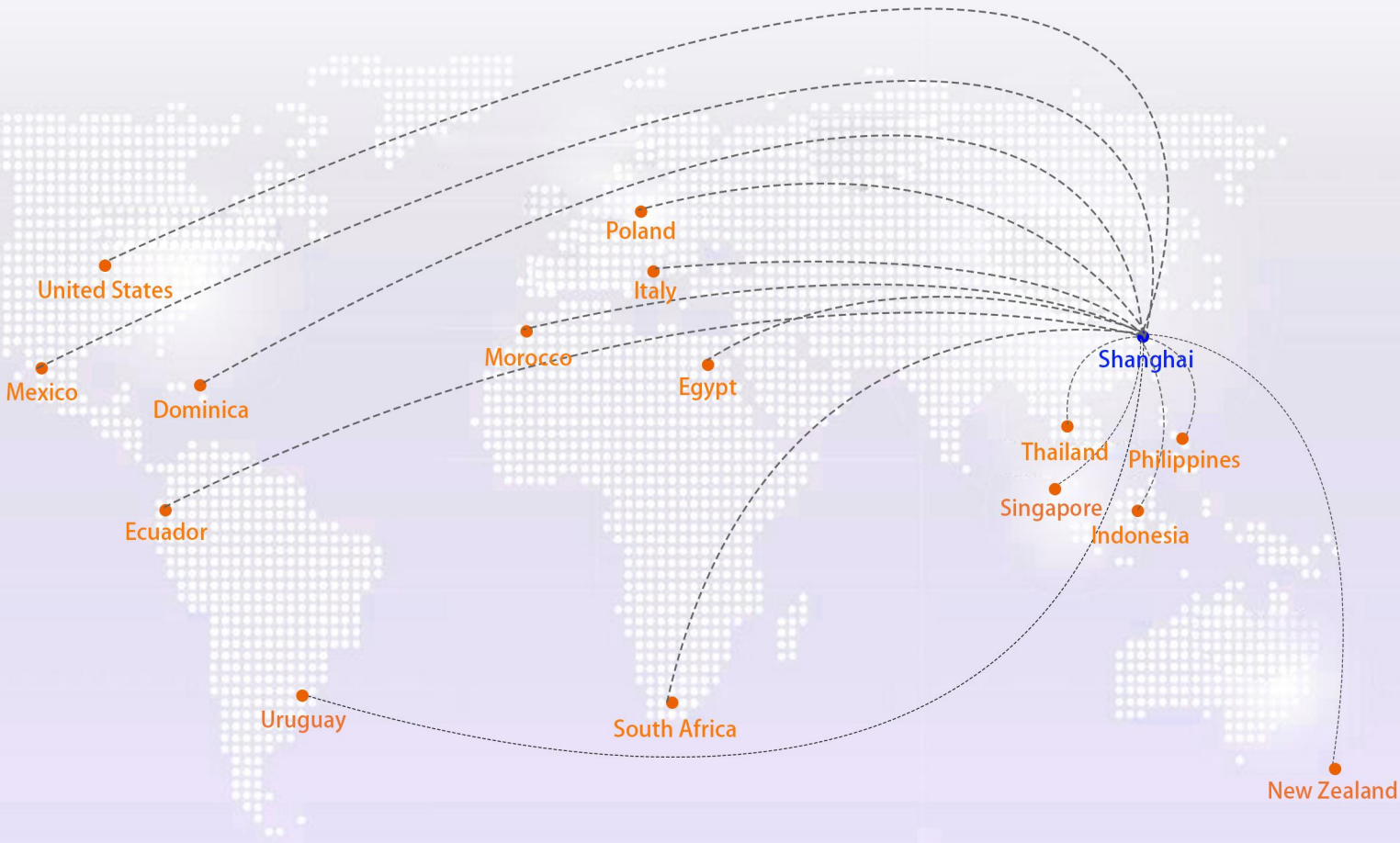
FCST01131



FCST02253



Fiber Cable Solution Technology Co.,Ltd.



Overseas Agency

www.fcst.com www.micro-duct.com



FCST - Better FTTx, Better Life.

We offer 4 solutions

- FTTH ODN Solution
- Underground Cable Installation Solution
- Aerial Cable Installation Solution
- Fiber Tools & Test Solution

As a FTTx solution supplier, we can also do ODM according to project. We will continue to innovate and contribute more to the construction of the global optical fiber network.

Rm402 block A Watts gallop tower No.2816 YiXian Rd, BaoShan District, Shanghai 200441.

Tel:+86-21-38726791 +86-21-38726792 Fax:+86-21-38726793

M:+86 18720624696 Email:sales@fcst.com